

DLT-V72 Series

Rugged X86-Based Vehicle-Mounted Terminal



Features

- 10.4/12.1" color TFT display
- IK08-certified touchscreen for impact tolerance and abrasion resistance
- Full IP66 rating for protection from water and dust ingress
- 5M3 certification for shock and vibration tolerance
- Wide operating temperature range (-30 ~ 50 °C/-22 ~ 122 °F) to withstand extreme environments
- Optional uninterruptible power supply via backup battery (supports up to 20 minutes operation)
- Optional screen defroster, ideal for cold chain and cold storage applications
- Supports Windows, Linux, and Android OS
- Certified with SOTI and Navis N4 software

Introduction

DLT-V72 is a rugged vehicle-mounted terminal designed for logistics applications and to provide maximum system uptime. The thin bezel design allows to fit it into the smallest vehicle cabinet. Through its compact design it does not block the drivers viewable area, hence it is reducing the risk of an accident. Powered by an Intel® Atom™ E3845 quad-core, 1.91 GHz, processor with 4 GB RAM, DLT-V72 supports a wide operating temperature range (-30 ~ 50 °C/-22 ~ 122 °F) to withstand operation in extreme industrial environments (from hot and humid, to dry freezer environments). The Advantech low-profile antenna offers excellent transmission capabilities in a compact form factor. Meanwhile the touchscreen with touch control ensures easy input and gloved operation.

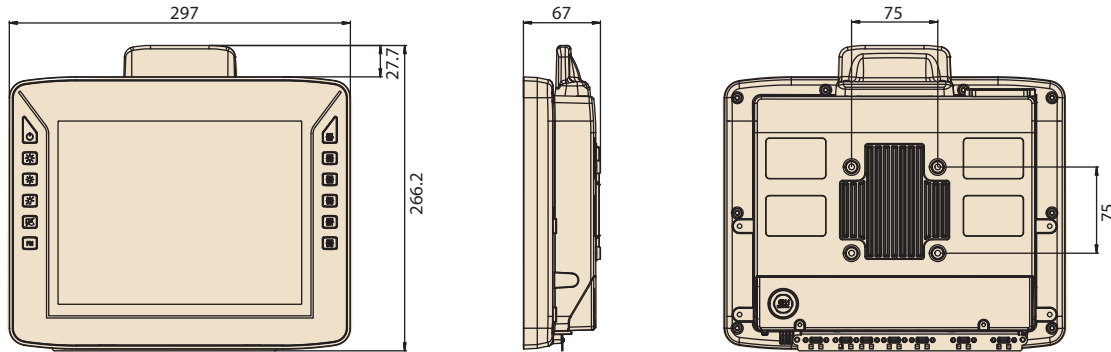
Specifications

System	CPU	Intel® Atom™ E3845 quad-core, 1.91 GHz, 4 GB RAM
	Memory	8GB - 256GB CFast
Dimensions	DLT-V7210	296.4 x 266.2 x 66.7 mm (11.67 x 10.48 x 2.63 in)
	DLT-V7212	334.4 x 294.4 x 68.7 mm (13.17 x 11.59 x 2.70 in)
Weight	DLT-V7210	3.7 kg (8 lb) without battery pack/antenna/accessories
	DLT-V7212	4.65 kg (10 lb) without battery pack/antenna/accessories
Housing		Completely sealed, fanless design made of coated aluminum
Display	DLT-V7210	10.4" XGA color TFT with 1024 x 768 resolution and 400 cd/m ² brightness
	DLT-V7212	12.1" XGA color TFT with 1024 x 768 resolution and 500 cd/m ² brightness
Touchscreen	Type	- Resistive touchscreen with optional screen defroster - Projective capacitive (P-CAP) touchscreen with multi-touch control
Control Buttons	Front Panel	12 x control buttons
Software	Operating System	Windows 10 IoT Enterprise, Windows 7 Pro, Windows Embedded Standard 7, Debian-based Linux, IGEL Linux, Android 9
	Emulations (Third-Party)	VT100, VT220, IBM 5250, TN 3270, Citrix Client®, Freefloat Access One
Communication	WLAN	WLAN IEEE 802.11 a/b/g/n/ac (optional)
	WWAN	WWAN (LTE, UMTS, HSPA+, GSM, GPRS, EDGE) (optional)
	LAN	Ethernet 10/100/1000 Mbit/s
	WPAN	Bluetooth 5.0 (optional)
Interfaces	Serial	2 x RS-232, COM1 with switchable 5 V _{DC} /RI
	USB	4 x USB 2.0 (Hi-Speed™) bootable, 1 x service USB 3.0 (Super-Speed™)
	External Antennas	1 x RSMA for WLAN, 1 x SMA for WWAN (optional)
Sensors		Accelerometer, Gyro (optional)
Audio		1 x integrated speaker (2W)
Power Supply		12/24/48 V _{DC} nominally Automatic Power On/Off function via vehicle ignition with optional UPS (20 minutes typical); battery life may vary according to load
Environmental	IP Rating	IP66 rating for the entire system
	Operating Temperature	-30 ~ 50 °C (-22 ~ 122 °F)
	Relative Humidity	10 to 90% at 40 °C (104 °F), non-condensing
	Shock/Vibration	5M3 (EN 60721-3-5) and MIL-STD 810F (US highway truck vibration exposure)
	Touchscreen Durability	IK 08
Certifications		CE Immunity Class A, Emission Class B/FCC Class B (for EU and USA), CCC (for China)

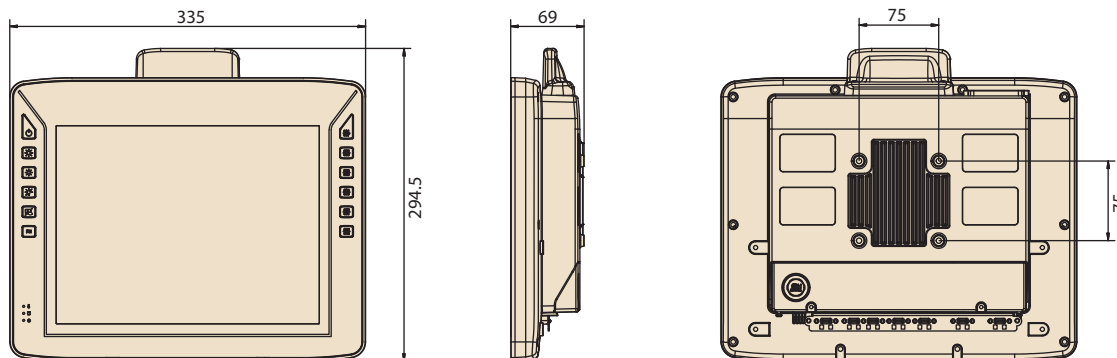
Dimensions

Unit: mm

DLT-V7210



DLT-V7212

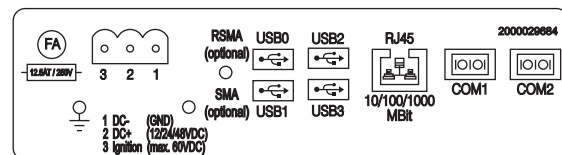


Optional Accessories

Part Number	Description
DL-MTK009	Mounting bracket mobile
DL-MTRM004	RAM-Mount Set, one arm, arm length 130mm
DL-MTRM003	RAM-Mount Set, one arm, arm length 215mm
DL-MTRM001	RAM-Mount Set, two arms, arm length 150mm

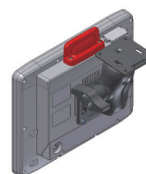
Further configurations on request!

I/O Connectors

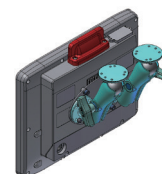


Mount Kit Options

RAM-Mount Set
(one arm)



RAM-Mount Set
(two arms)



Mobile Mounting
Bracket

